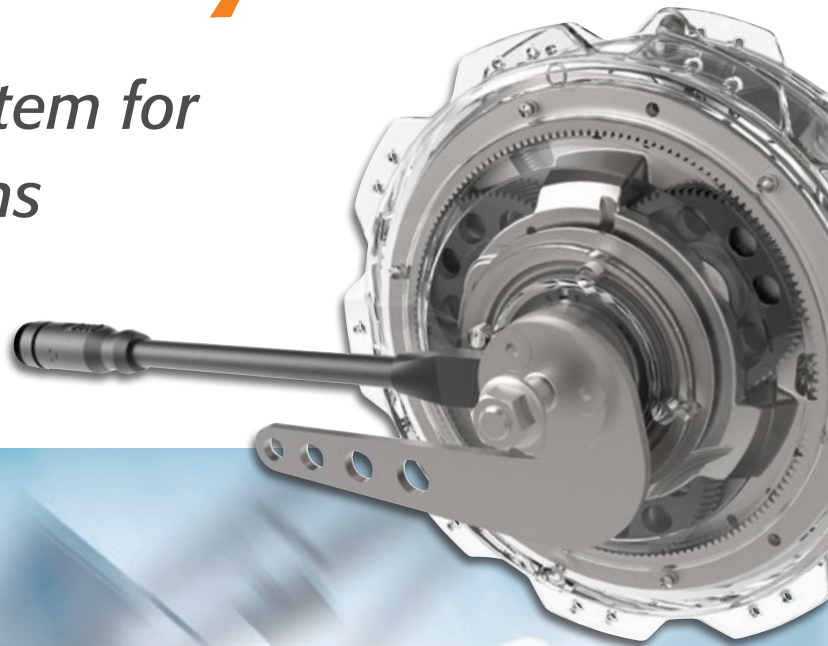




*The powerful package from the e-bike pioneer*

# **CargoPower System**

*HEINZMANN drive system for heavy duty applications*



**CARGO  
POWER**

- *Car-free city centre*
- *Low-emission travel*
- *Logistics of the „last mile“*
- *Intra-company transports*

# HEINZMANN - Superior technology from the e-bike pioneer



## CARGOPOWER SYSTEM – THE POWER PACKAGE

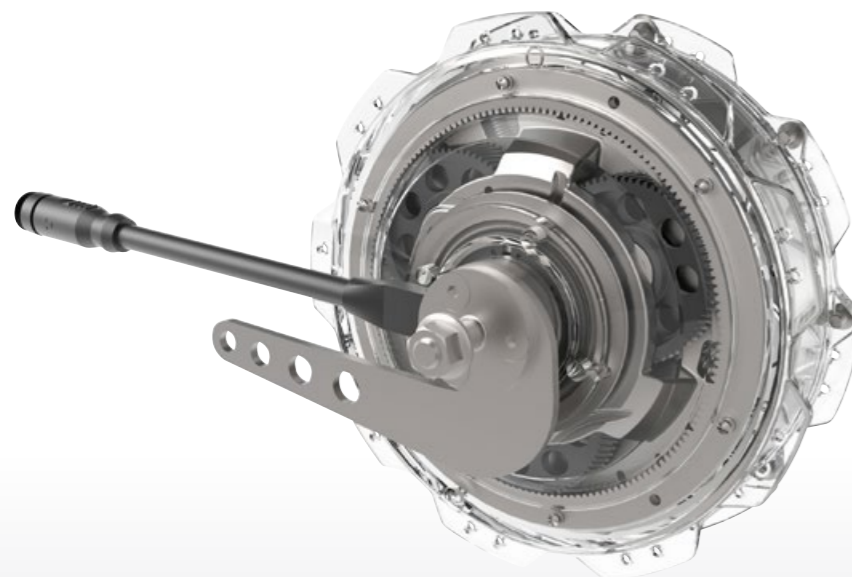
HEINZMANN has developed a drive system for cargo bikes that leaves nothing to be desired. This powerful wheel hub motor combined with proven system components guarantees maximum driving force for a wide range of professional and commercial applications.

### CargoPower Motor RN 111

The HEINZMANN heavy-duty motor CargoPower RN 111 offers innovative technology, robust design and good reliability. It has been specially developed for heavy-duty applications. Torque, torque support and the reliable axle loads are specifically designed for uses like these.

CargoPower is the most compact motor in its class. A unique high torque and equally high power density are achieved with a high-performance planetary gear made from hardened steel and innovative oil lubrication and cooling. The wheel hub motor can run in reverse and regenerate. This makes manoeuvring easier, even on three-wheel models, and supports braking when travelling downhill. The range is increased and the wear on the brakes is reduced.

### System components



- *High torque at low speeds*
- *Maximum efficiency over the entire speed range*
- *High power and torque density due to optimal heat dissipation through oil cooling*
- *Reduced derating*
- *Torque sensor integrated in the rear wheel motor*

### Installation versions

The compact design enables the motor to be installed in standard forks (100 mm) or standard frame dropouts (135 mm). Mounting on one side is also possible, e.g. for three-wheel models. The optimised geometry of the flanges enables easy spoking on 20" to 29" rims.

The motor is suitable for rear wheel, front wheel or single sided mounting.

The system components for the CargoPower system are coordinated specifically for this powerful drive. Our systems can also be combined with batteries from other manufacturers.



Motor	CargoPower RN 111	
Nominal output	250 ... 600 W	
Nominal speed	200 rpm	
Rated torque	up to 31 Nm	
Voltage	36 / 48 VDC	
Degree of protection	IP65	
Temporary peak power	1350 W	
Maximum torque	113 Nm	
Weight	5.1 kg	
Speed	25 km/h	
Axle load	Front wheel 150 kg Rear wheel 125 kg Single side 100 kg	

Control	
Drive control in a separate housing	
Various parameters can be adapted by the OEM to set an individual driving style (support levels, assisted pull-away and many more)	
Optimal monitoring of the electrical system	
Optionally prepared for regeneration and connecting brake handles with installed actuation switch	
Parametrizable assisted pull-away either via the control element on the display or via twist grip	
Reverse travel	
CAN bus interface	
Degree of protection IP65	



Controller box



# HEINZMANN E-Bike Systems



Battery pack	
	Heavy Duty Battery
	Safe, tried-and-tested lithium-ion technology
	46.8 V/807 Wh
	Passive cell balancing increases the service life of the battery pack
	Technically, mechanically and visually sophisticated
	CAN bus interface
	Degree of protection IP65



Heavy Duty Battery

Service software	
	Clear user interface
	Quick troubleshooting in the event of faults
	Built-in wizard for convenient quick configuration
	Easy parametrisation for manufacturers
	All major system parameters can be configured in the field
	Protective system against plant data manipulation
	Control firmware can be updated in the field

Twist grip	
	For handlebars with a diameter of 22.2 mm



Control panel	
	Can be mounted on the left or right side of handlebar and easily be switched to a laterally correct image on the screen
	Quick setting of support levels, safe operation while travelling
	Convenient display functions
	Outstanding readability, even in sunlight
	Bluetooth interface
	Micro USB interface with charging function for smartphone
	Degree of protection IP65

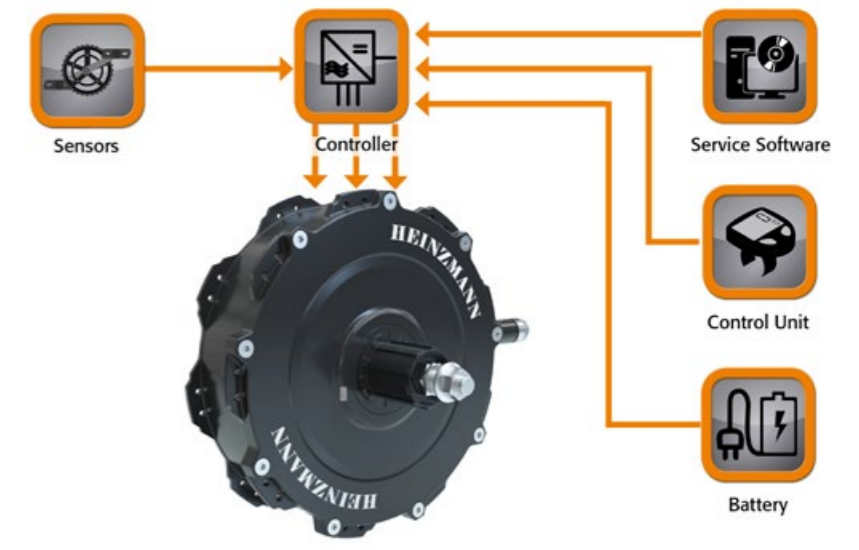


Sensor	
	Cadence sensor can be mounted on the right or left
	Cable length on request



## System overviews

Here is an overview of the system modules for front and rear wheel installation and optional components:



### Front wheel installation

System components	Part number
Front wheel motor	880-00-181-xx
Controller	880-81-248-xx
Heavy Duty Battery	880-80-281-00
Charger	010-33-037-00
Control unit	010-69-325-20
Cadence sensor	870-81-134-10 (right pedal side) 870-81-145-10 (left pedal side) 010-29-049-00 (magnetic disk)

Variants on request

### Rear wheel installation

System components	Part number
Rear wheel motor incl. freewheel for cassettes with integrated torque sensor	880-00-180-xx
Controller	880-81-248-xx
Heavy Duty Battery	880-80-281-00
Charger	010-33-037-00
Control unit	010-69-325-20

Variants on request

### Optional components

System components	Part number
Splitter cable	010-69-325-50
Twist grip	870-90-069-00



## **HEINZMANN - Precision from the Black Forest**

*HEINZMANN e-bike systems are developed and produced in Schönau/Germany and are real precision products from the Black Forest.*

*HEINZMANN products made in Germany stand for quality and German engineering skill. Decades of experience in the field of bicycle drives make us a reliable partner and a true specialist for e-bike drives.*



**Heinzmann GmbH & Co. KG**

Am Haselbach 1  
D-79677 Schönau  
Phone: +49 7673 8208 - 0  
Fax: +49 7673 8208 - 799  
Email: [ebike@heinzmann.de](mailto:ebike@heinzmann.de)

**[www.heinzmann-electric-motors.com](http://www.heinzmann-electric-motors.com)**