

Twist grip

DATA SHEET

Description

This analogue twist grip with potentiometer should ideally be used in conjunction with the powerful HEINZMANN Classic Motor, which has been established in electric bicycle for decades. The twist grip's advantages include the high quality material and the long service life. It is part of the overall drive system, along with the drive, controller, battery and pedalling sensor.



Features

Analogue twist grip with potentiometer

ON/OFF switch

Green ON/OFF LED indicator

Suitable for standard handlebar diameter 22 mm

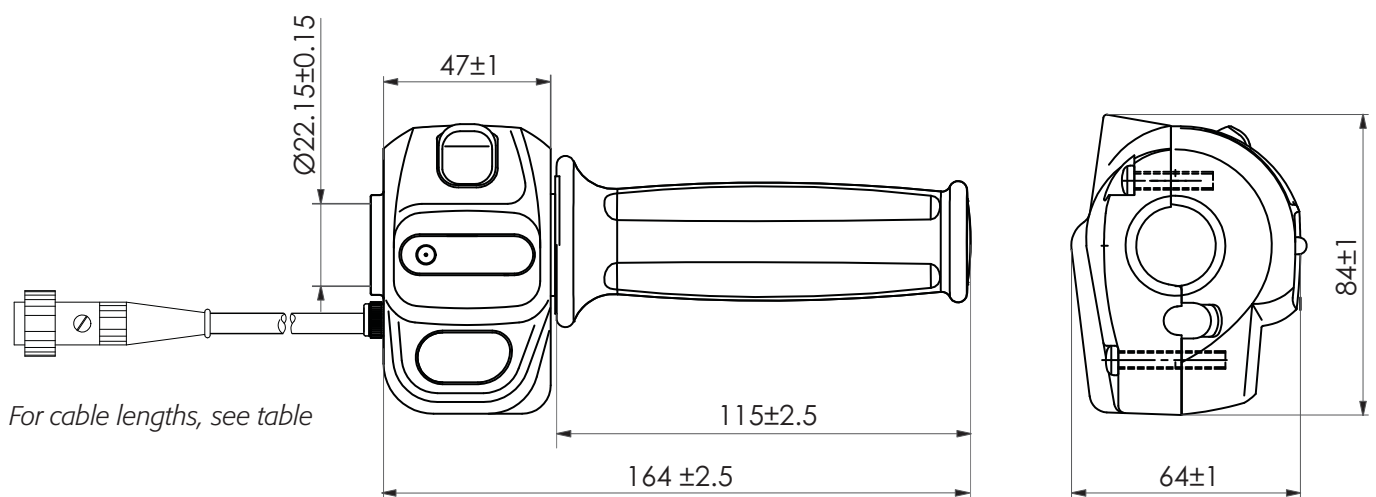
High quality materials, durable and weather resistant

Service life up to 500,000 cycles

Technical data

Rotation angle	65°
Potentiometer	5 kΩ
Operating temperature range	-20 °C ... +60 °C
Degree of protection	IP30, when fitted
Cable lengths	1.7 m / 2.0 m / 2.2 m / 2.4 m
Service life	Up to 500,000 cycles
Fitting dimensions	Suitable for standard handlebar diameter 22 mm

Dimensions



Subject to changes and corrections. ©Heinzmann GmbH & Co. KG, 2019



Heinzmann GmbH & Co. KG
Am Haselbach 1
D-79677 Schönau/Germany

Phone: +49 7673 8208 - 0
Fax: +49 7673 8208 - 799
Email: info@heinzmann.de