

HEINZMANN PMS Pancake Motors



Features

Powerful, dynamic drive

Maintenance-free and durable

Brushless design

Patented rotor technology

Flat construction saving mounting space

PMS motors and controllers for boats

The HEINZMANN series of brushless disc motors has several advantages over a typical electric motor: small size, flat shape of construction, reduced weight at equivalent power rating and a high efficiency factor.

Its brushless design without any wearing parts like carbon brushes or collectors results in the motor being almost maintenance-free. So for drive functions in an axially confined area the PMS are ideally suited. Its small overall size as well as its quiet operation make it a very efficient drive almost tailor-made for marine applications like saildrive propulsion systems, motorboats, houseboats, etc.



System with motor technology from HEINZMANN

Technical Data

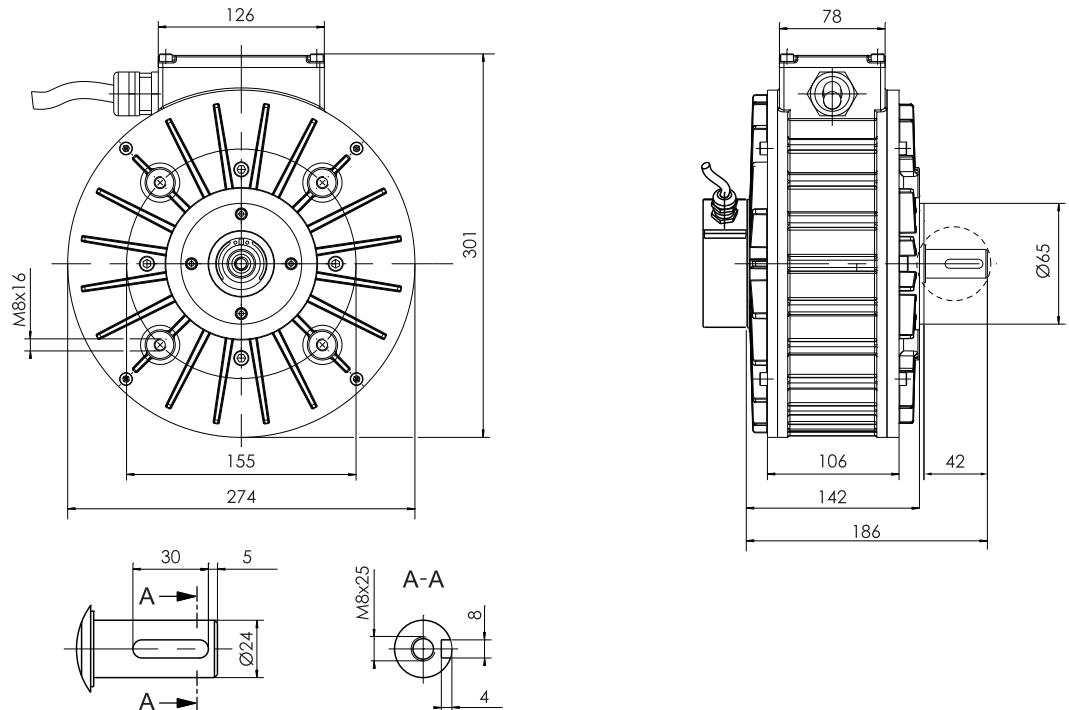
Voltage 24 VDC (external ventilation)					
	PMS 80	PMS 100	PMS 120	PMS 150	PMS 156W (water cooled)
3000 min ⁻¹	1 kW	1.4 kW	3 kW	---	---
Sevcon Gen 4, 24 VDC	Size 2	Size 2	Size 4	---	---
4500 min ⁻¹	1.1 kW	1.68 kW	3 kW	---	---
Sevcon Gen 4, 24 VDC	Size 2	Size 2	Size 4	---	---
6000 min ⁻¹	1.2 kW	1.4 kW	---	---	---
Sevcon Gen 4, 24 VDC	Size 2	Size 2	---	---	---

Voltage 48 VDC (external ventilation)					
	PMS 80	PMS 100	PMS 120	PMS 150	PMS 156W (water cooled)
3000 min ⁻¹	1 kW	2.3 kW	5.5 kW	8.5 kW	10 kW
Sevcon Gen 4, 48 VDC	Size 2	Size 2	Size 4	Size 6	Size 6
4500 min ⁻¹	1.25 kW	2.6 kW	6 kW	8.5 kW	---
Sevcon Gen 4, 48 VDC	Size 2	Size 2	Size 4	Size 6	---
6000 min ⁻¹	1.25 kW	2.7 kW	6 kW	8.5 kW	---
Sevcon Gen 4, 48 VDC	Size 2	Size 2	Size 4	Size 6	---

Customer specific variants on request.

Dimensions

Example PMS 150



Subject to alterations. ©Heinzmann GmbH & Co. KG, 2019