

# DirectPower PRA 180-30

## DATA SHEET



### Description

DirectPower E-Bike Drives by HEINZMANN impress with their innovative technology and extreme flexibility. Thanks to their independent control which is integrated in the battery box they can be used for a variety of systems. The power electronics is not build into the motor. The motor power rating is not affected by the heating of the electronics. The 500 W version impresses with outstanding torque performance, low power consumption and the option of installing in a standard frame. It goes without saying that this motor is also compatible with the standard components of the DirectPower system.

### Features

Maintenance-free,  
noiseless

Brushless and gearless

Rear wheel drive

Regeneration in front and  
rear wheel

Brake disc support

Built in cassette

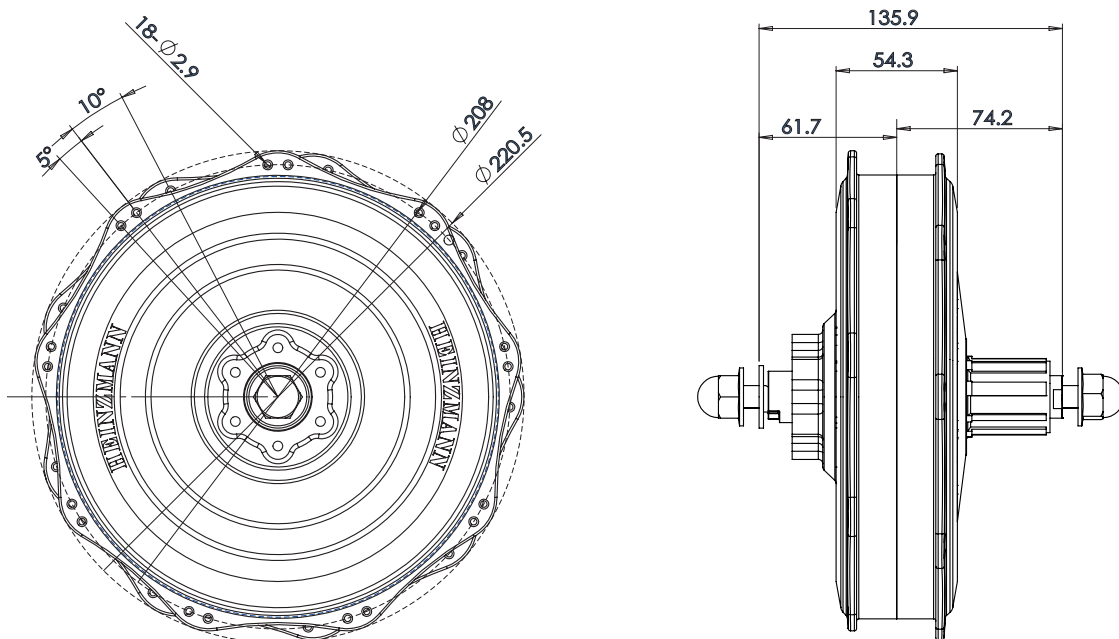
Separate power electronics  
not affected by motor  
temperature ensuring  
maximum performance

### Technical data

<b>Motor</b>			
DC supply voltage		36 VDC	
Rated power		500 W	
Nominal speed		210 1/min	
Typical speed limit according to rim size (Comply with the relevant legal requirements)	26"	35 km/h	
	28"	38 km/h	
Weight		5.2 kg	
Cooling		Ext. ventilation > 5 m/s	
<b>Operation points</b>			
Operation mode	S2 30 min	S2 10 min	S2 4 min
Rated torque	22.7 Nm	35 Nm	50 Nm
Related AC current	16.1 A	26 A	39 A
Impulse torque	60 Nm		

<b>Electrical data</b>	
DC supply voltage	36 VDC
Motor voltage	25 VAC
Rated power	500 W
EMF constant	89.7 V / $_{1000 \text{ min}^{-1}}$
Torque constant	1.41 Nm / A
Resistance phase-phase	250 mΩ
Winding inductance phase-phase	0.82 mH
Degree of protection	IP54
<b>Sensor system</b>	
Motor feedback	Hall sensors
Temperature sensor	KTY84-130

## Dimensions



With this drawing the regulations for copy right protection are effective.

Subject to alterations. ©HEINZMANN GmbH & Co. KG, 2019



**Heinzmann GmbH & Co. KG**  
 Am Haselbach 1  
 D-79677 Schönau/Germany

Phone: +49 7673 8208 - 0  
 Fax: +49 7673 8208 - 799  
 Email: info@heinzmann.de